

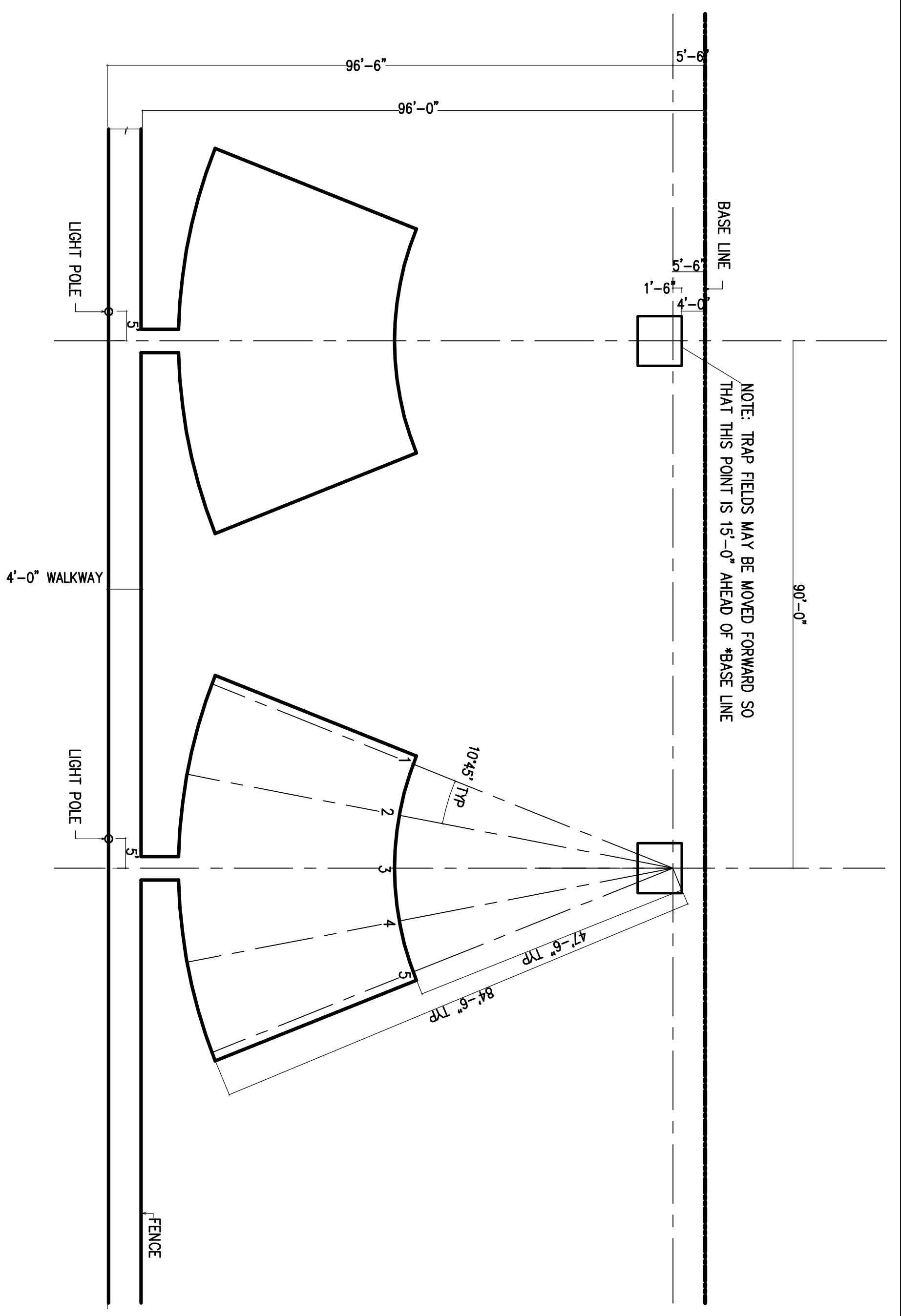
TARGET DISTANCE MARKER
150' FROM TRAP
1 1/2" PIPE TOP TO BE AT SAME-LEVEL AS #3 FRING POSITION

NOTE: TRAP FIELDS MAY BE MOVED FORWARD SO THAT THIS POINT IS 15'-0" AHEAD OF BASE LINE

FIELD REAR

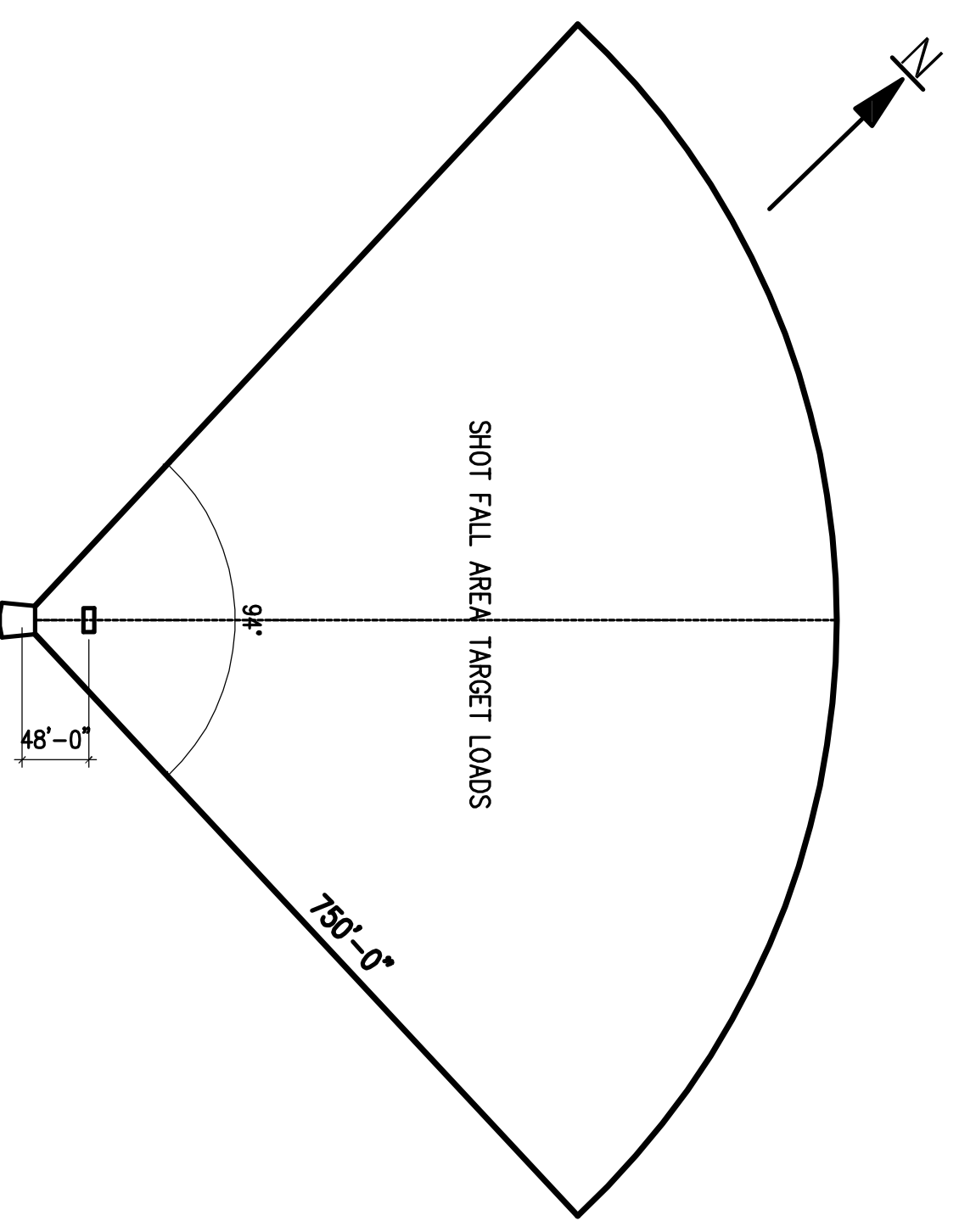
TRAP FIELD LAYOUT

* LOCAL OPTION TO DICIDE ON RADIUS OR SQUARE CORNERS
DIMENSIONS IN RECTANGLES MUST BE MAINTAINED PER ATA RULES



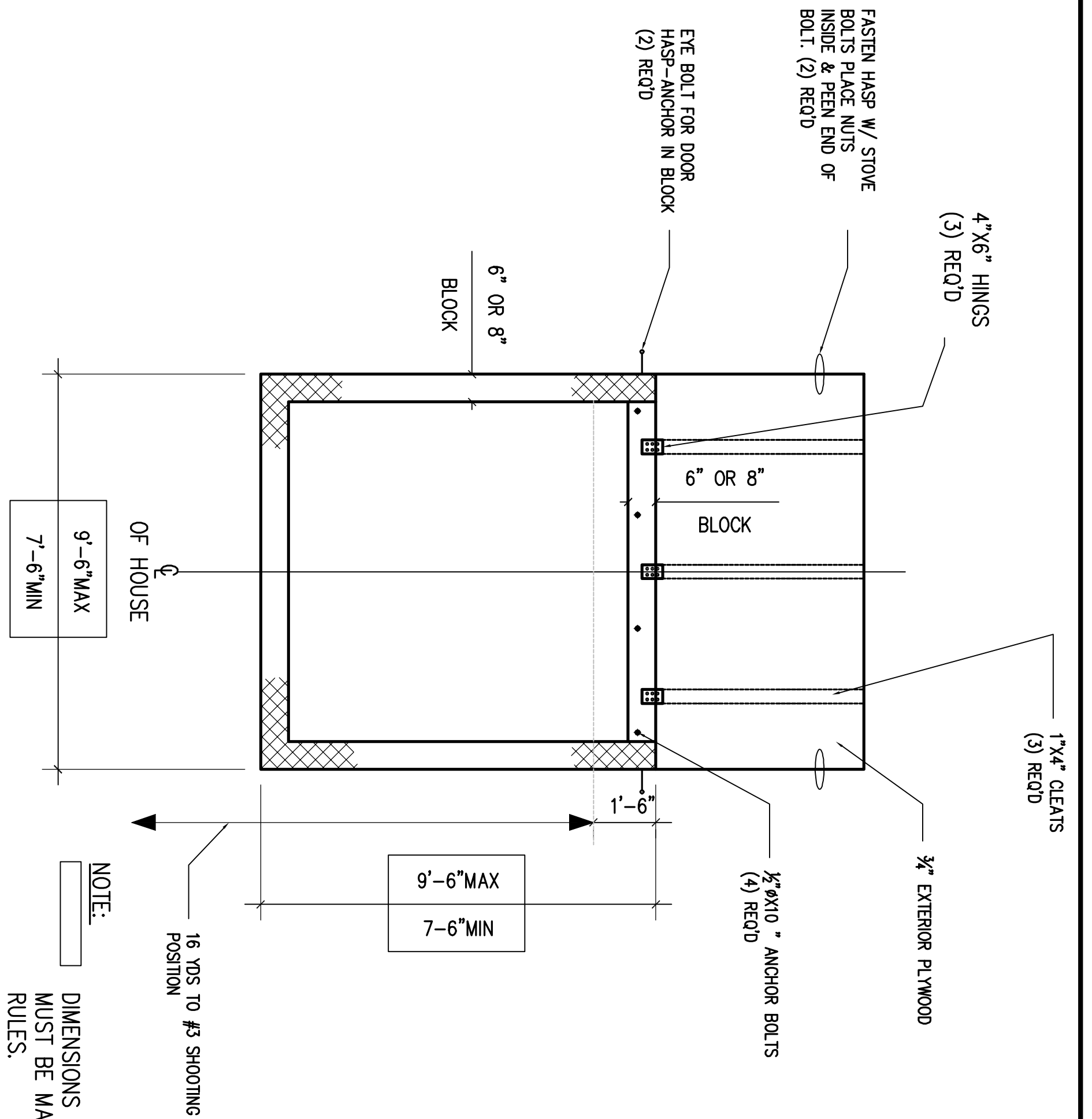
NOTE: TRAP FIELDS MAY BE MOVED FORWARD SO THAT THIS POINT IS 15'-0" AHEAD OF BASE LINE

SHOT FALL AREA FOR TRAP FIELD

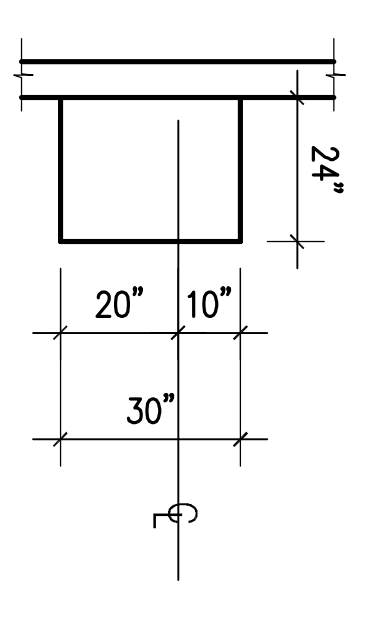
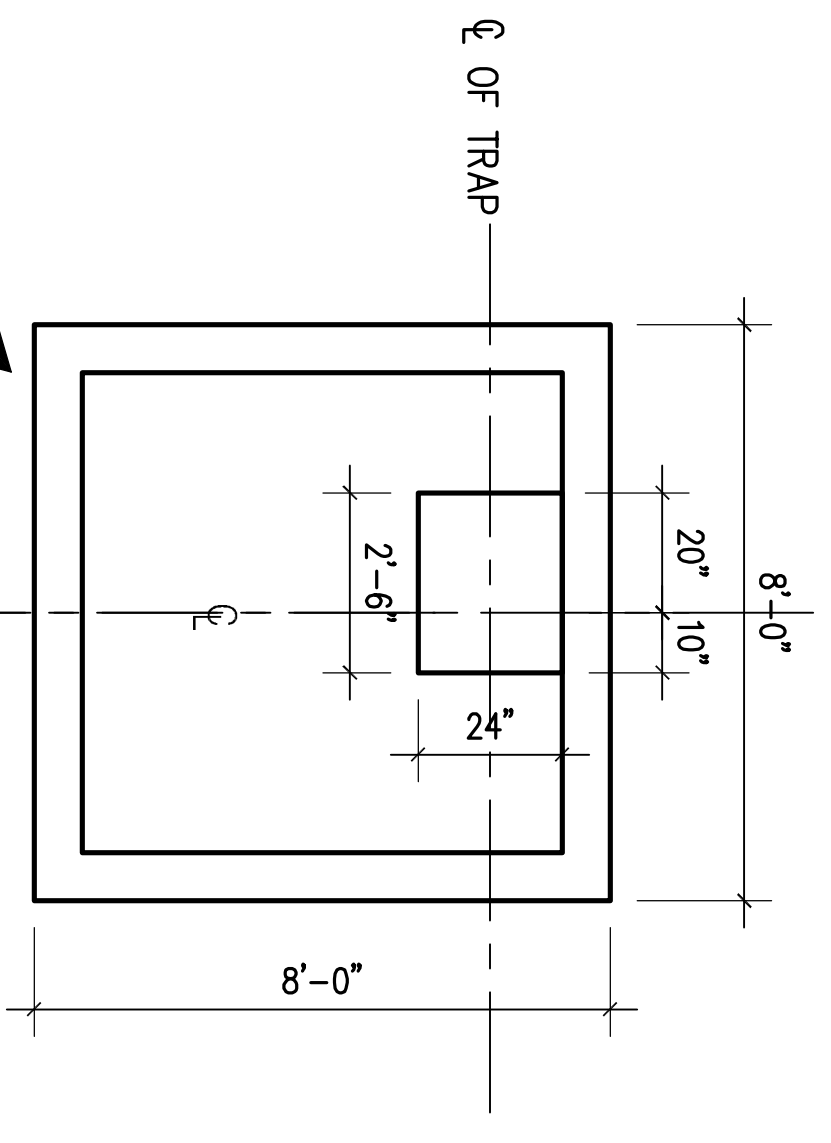


GOLDEN WEST INDUSTRIES
750 ARROYO AVE. SAN FERNANDO, CA. 91340
TELEPHONE NO. (818) 365 3946
TRAP HOUSE

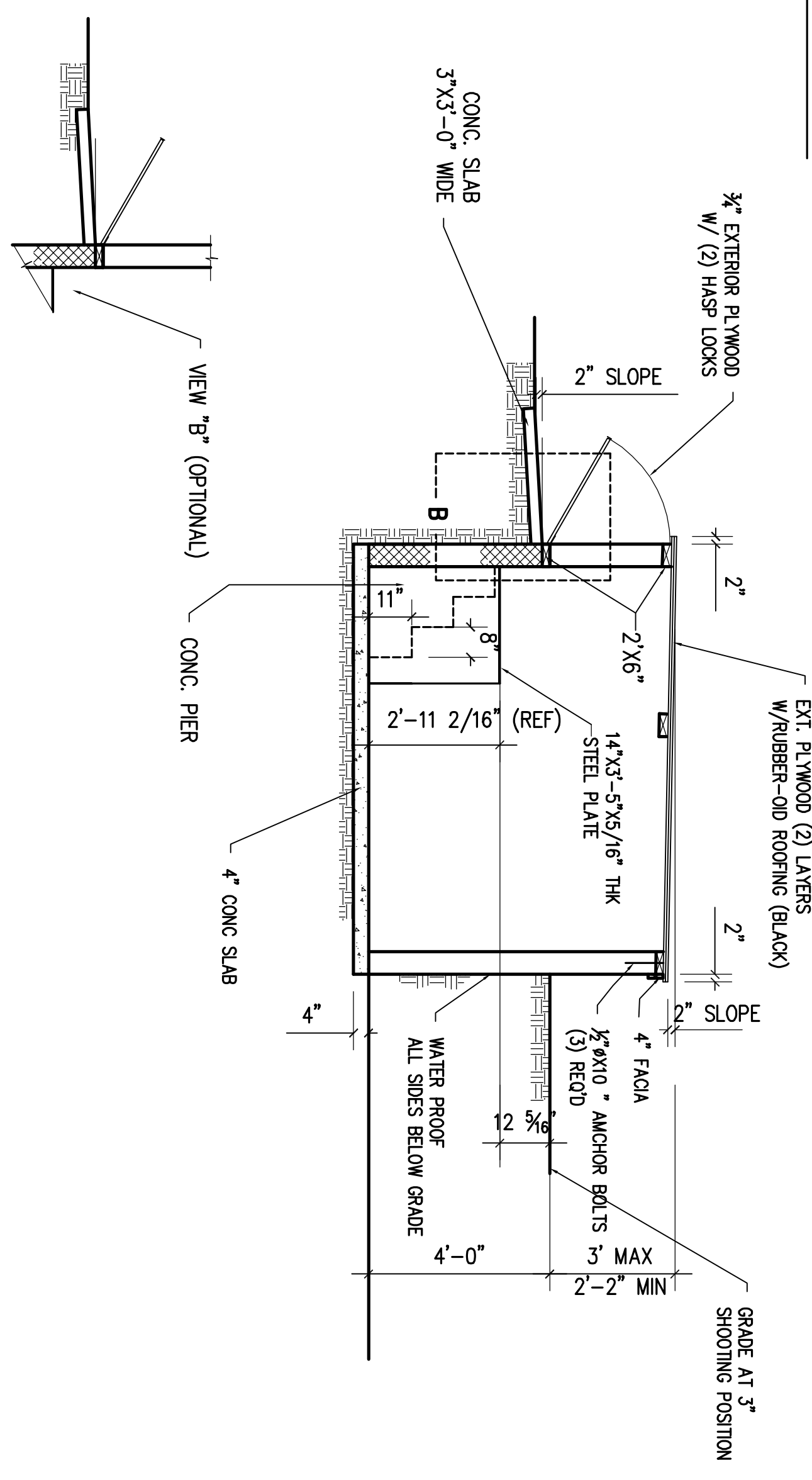
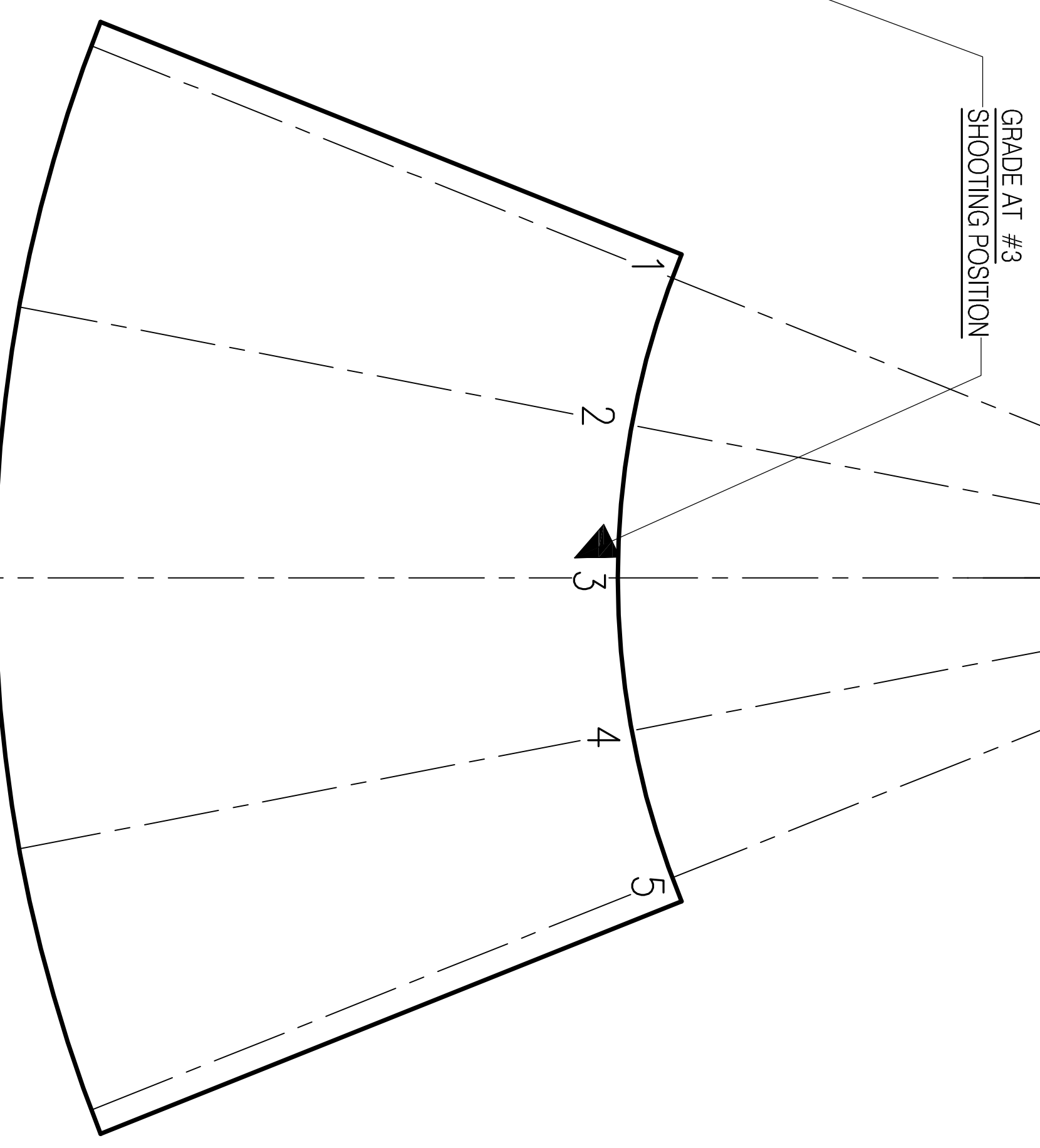
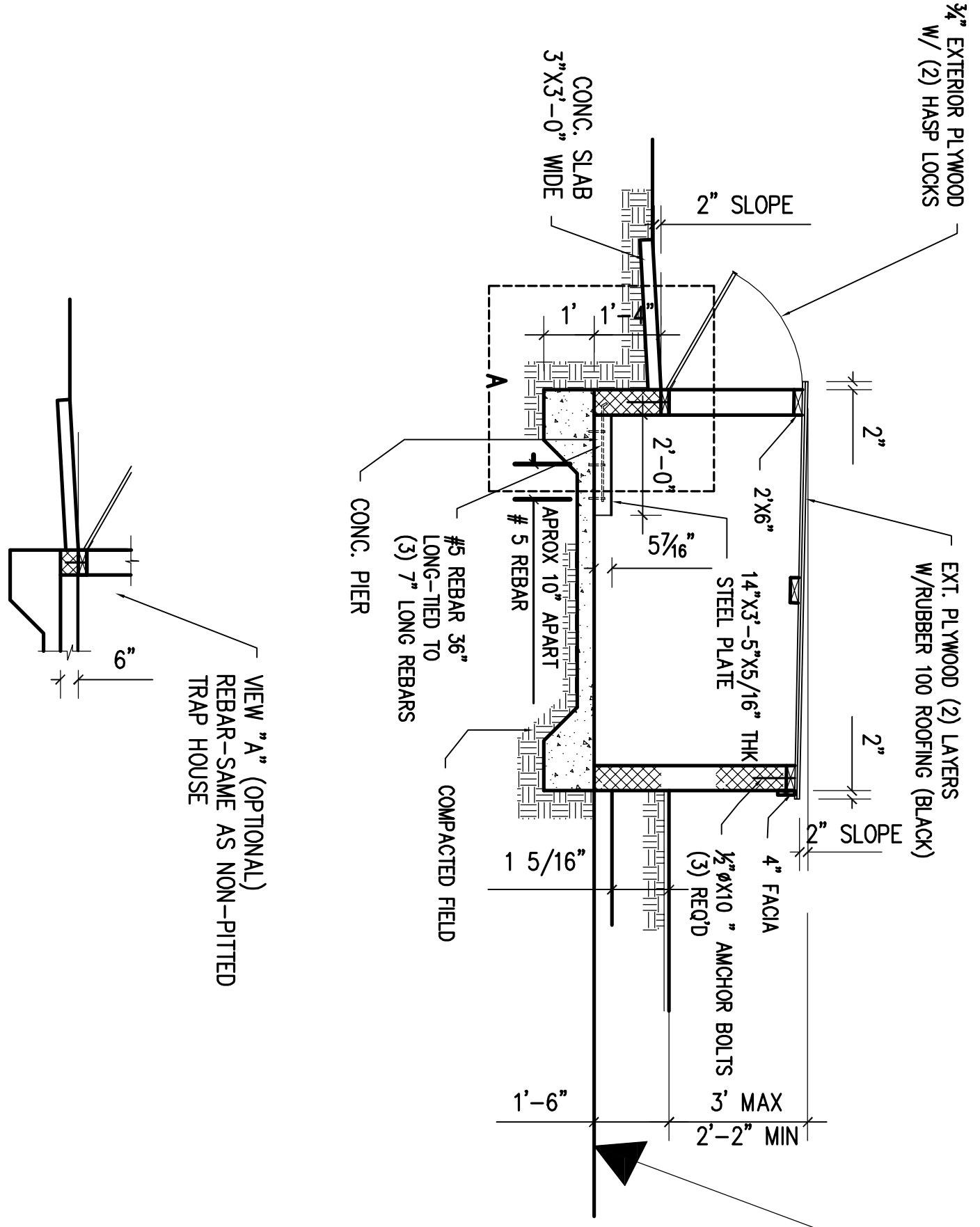
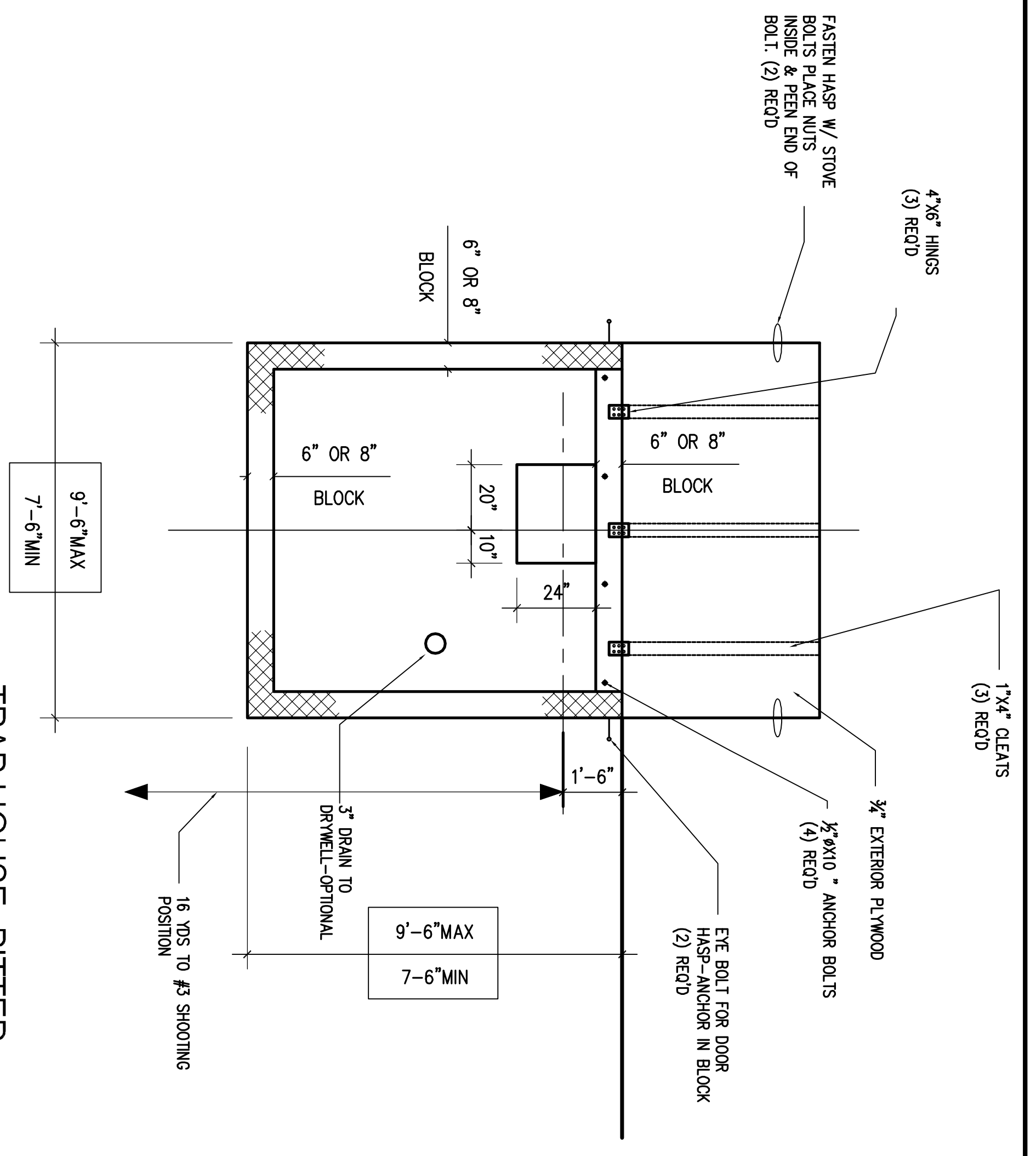
SCALE: NONE	DRAWN: MC DRAZING SERVICES, INC.	REVISIONS:	DR. NO.:
SHEET: 1 OF 2	DATE: 02/09/10		GND/JS



TRAPHOUSE - NON - PITTED



TRAPHOUSE PITTED



GOLDEN WEST INDUSTRIES
 750 ARROYO AVE. SAN FERNANDO, CA. 91340
 TELEPHONE NO. (818) 365 3946

TRAPHOUSE

SCALE: NONE	DRAWN: MC DRAFTER SERVICES, INC.	REVISIONS:	DR. NO.
SHEET: 2 OF 2	DATE: 02-20-10		GMD/JS